

Office Link User Manual

Rev 1.0

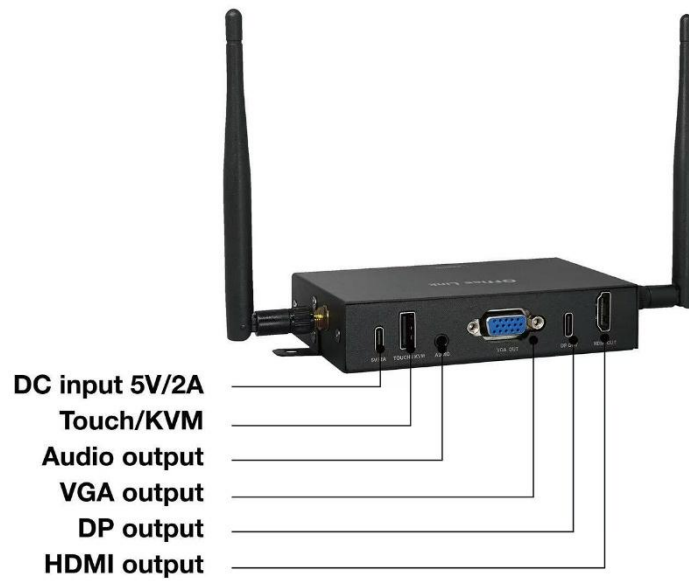


Product information is subject to change without prior notice

About Office Link

FLR-1 (Receiver)

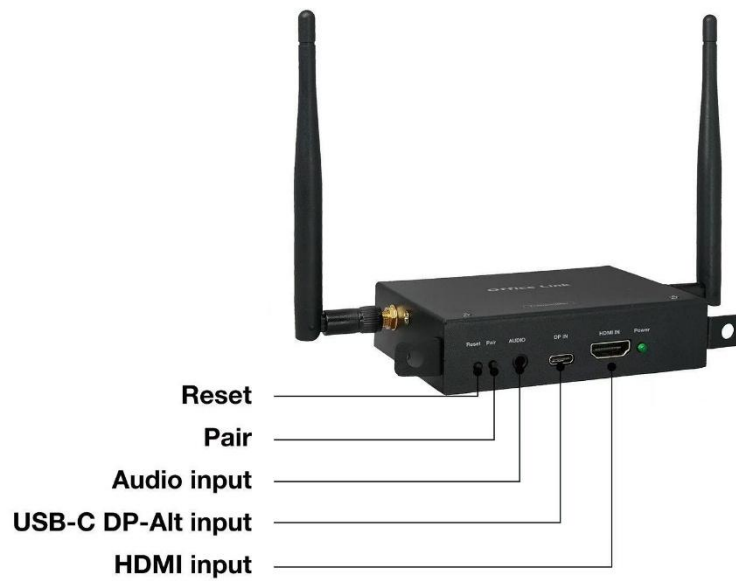
Mirrors content from the transmitter on the screen and sends touch, keyboard, and mouse inputs back to the transmitter via Wi-Fi.



About Office Link

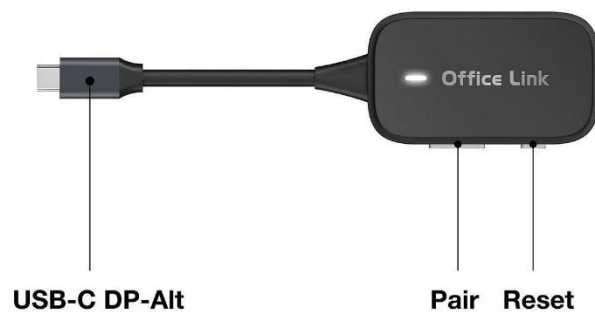
FLT-1 (Transmitter)

Mirrors HDMI/USB-C DP-Alt input to the receiver via Wi-Fi, and returns touch, keyboard, and mouse inputs to the source device.



FLT-C1 (Portable Transmitter)

Mirrors USB-C DP-Alt input to the receiver via Wi-Fi, and returns touch, keyboard, and mouse inputs to the source device.



About Office Link

Remote Control Functions



Number Keys

Press the numeric keys directly to switch between TX sources.
(Default settings: TX1 = FLT-1, TX2 = FLT-C1)

Play / Pause Button

- Press **Pause**: Stops the current projection and returns to the main interface to show the connected TX.
- Press **Play**: Resumes projection from the currently connected TX.

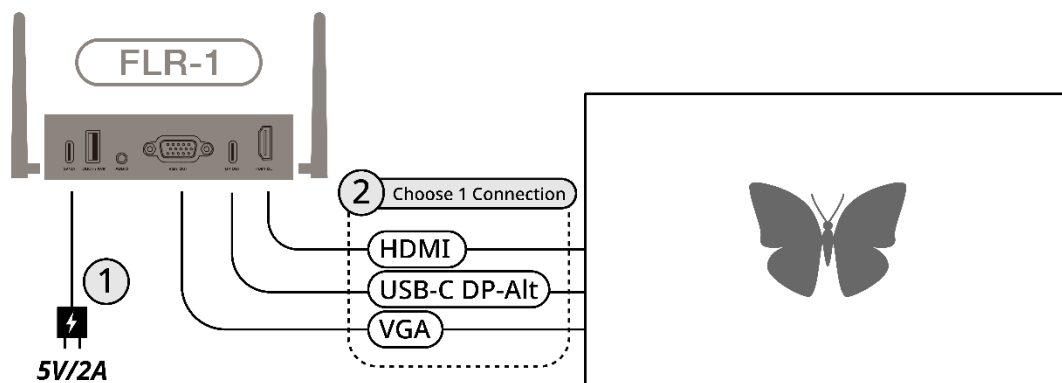
Next / Previous Button

- **Previous**: Switches to the previous TX source.
- **Next**: Switches to the next TX source.

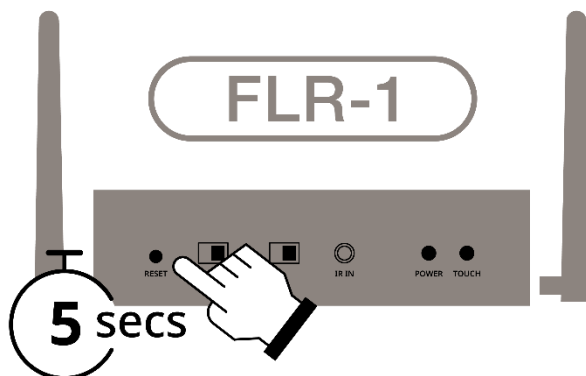
Manually Pair

1 Activate receiver pairing mode

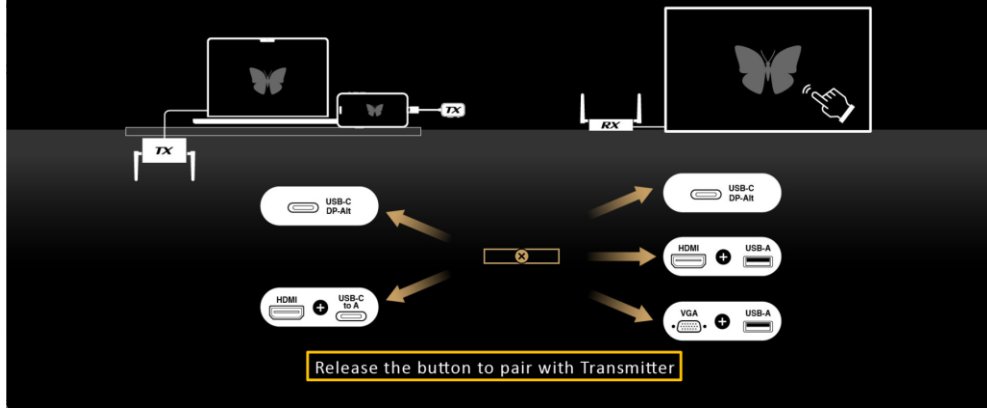
- (1) Connect the FLR-1 to a 5V/2A power source using the Type-C connector.
- (2) Connect the FLR-1 to a display using an HDMI, USB-C DP-Alt, or VGA cable.



- (3) Press and hold the FLR-1 Reset button for 5 seconds. When the screen displays "Release the button to pair with Transmitter," the interface will switch to the pairing page and show the current pairing ID (yellow indicates an already paired ID, white indicates the current ID to pair; the system will start pairing from the lowest number).



Office Link



Office Link

SSID:OfficeLink-28A82BCE PSK:95179962

Pairing mode

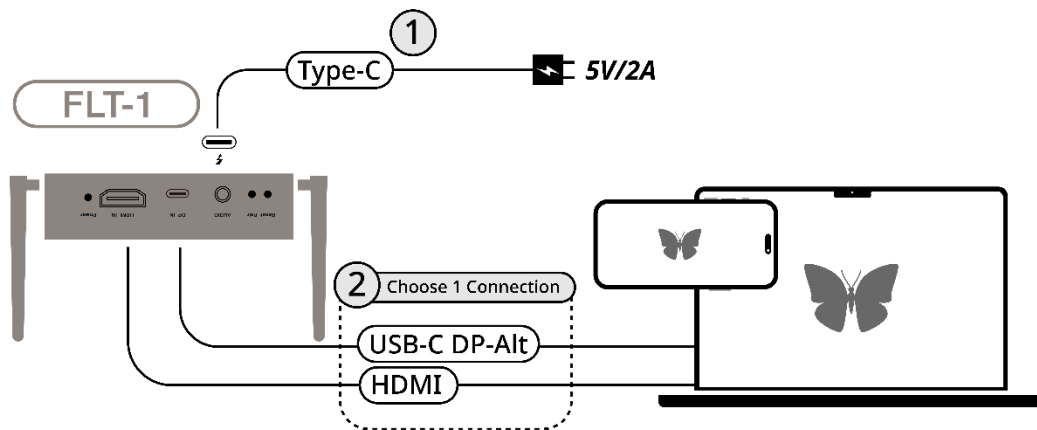


Ready to pair

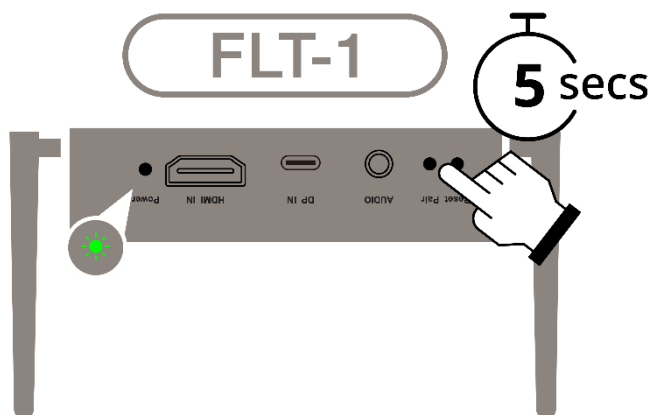
2 Activate transmitter pairing mode

FLT-1

- (1) Connect the FLT-1 to a 5V/2A power source using the Type-C connector.
- (2) Connect the FLT-1 to a computer or mobile device using an HDMI or USB-C DP-Alt cable.



- (3) First, make sure the receiver displays 'Ready to Pair'. Then, press and hold the FLT-1 Pair button for 5 seconds until the Power LED turns off and starts flashing. Release the button immediately, and wait until the LED stays solid to complete the pairing.

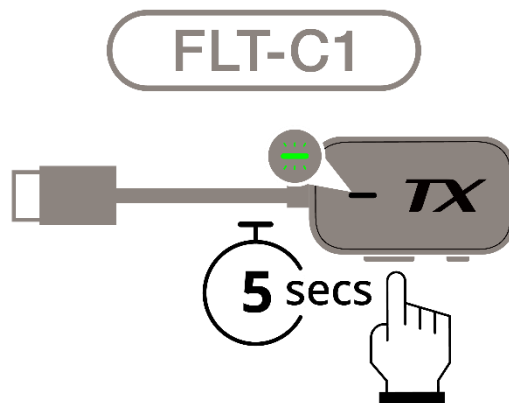


FLT-C1

- (1) Plug the FLT-C1 into a USB-C DP-Alt compatible computer or mobile device.



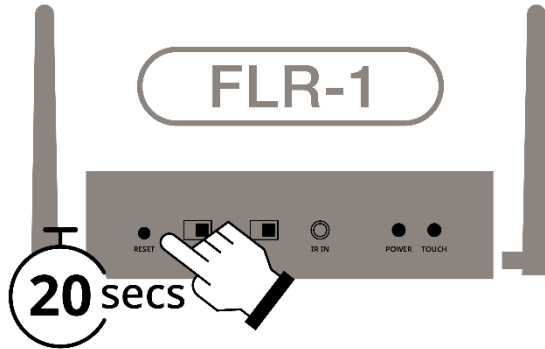
- (2) First, make sure the receiver displays "Ready to Pair." Then, press and hold the FLT-C1 Pair button for 5 seconds until the Power LED turns off and starts flashing. Release the button immediately, and wait until the LED stays solid to complete the pairing.



How to change the transmitter ID

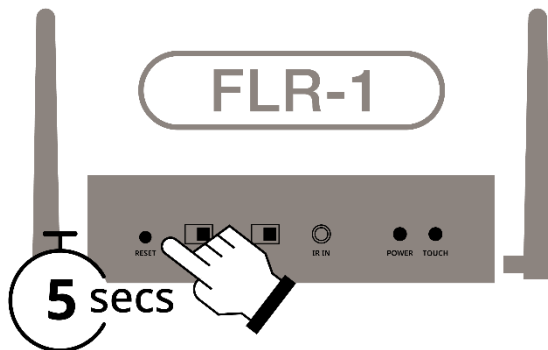
1 Erase all pairing IDs:

Press and hold the FLR-1 for 20 seconds. The system will reboot and simultaneously clear all paired transmitter IDs. Then, enter pairing mode and pair each transmitter sequentially starting from TX1.



2 Remove a specific transmitter ID via Web Settings:

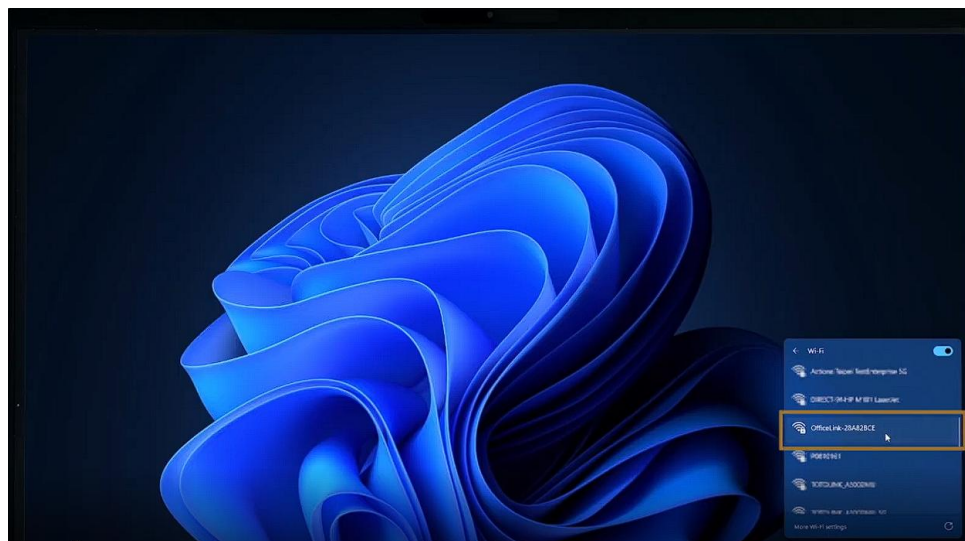
(1) Press and hold the FLR-1 for 5 seconds to enter the pairing page.



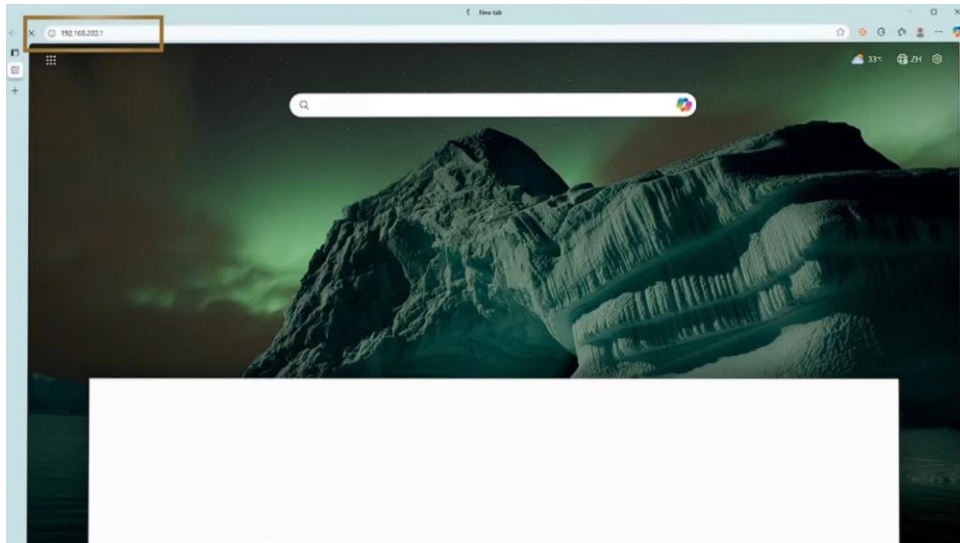
(2) Confirm that the screen displays the receiver device' s SSID and PSK.



(3) Open the Wi-Fi settings page on your mobile device or computer, connect to the projector' s SSID, and enter the on-screen PSK to complete the connection.



(4) Open a web browser and enter the URL: 192.168.203.1

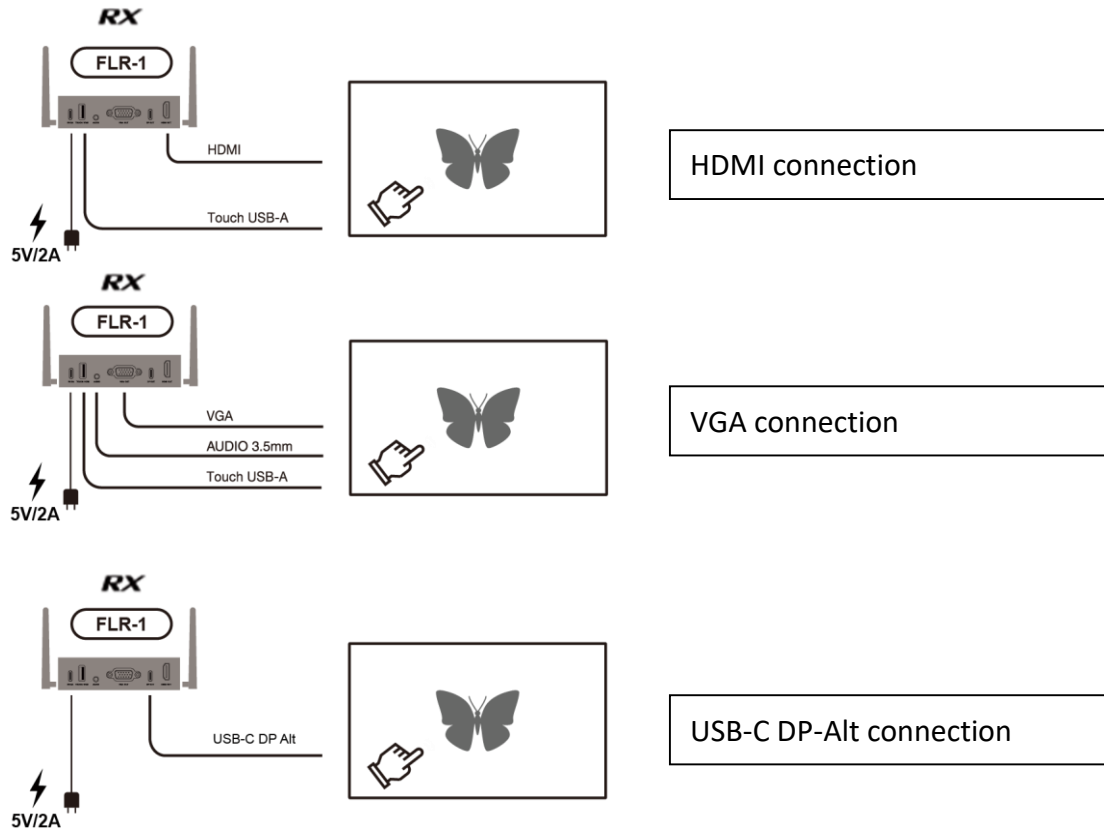


(5) Find the paired transmitter and press the "X" icon to remove the TX ID.

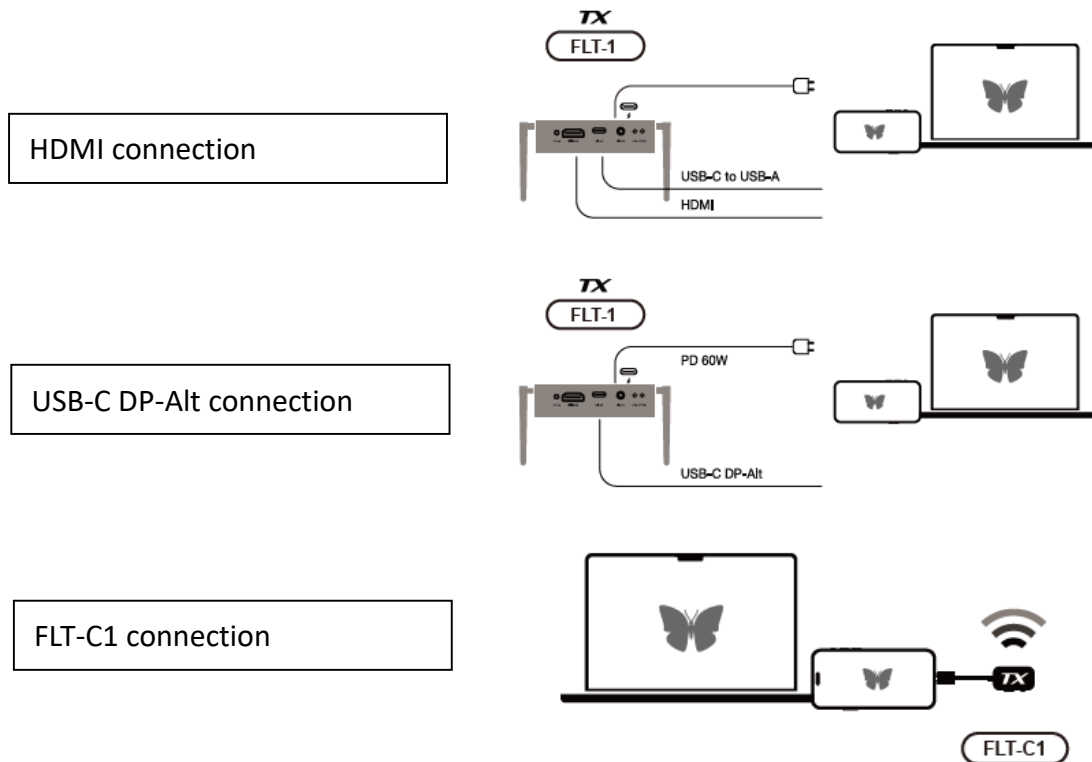


Transmitter and Receiver Connection Method

Receiver connection method



Transmitter connection method



FAQ & Troubleshooting

Q: The touch screen displays the transmitter' s image, but touch control is not working.

A:

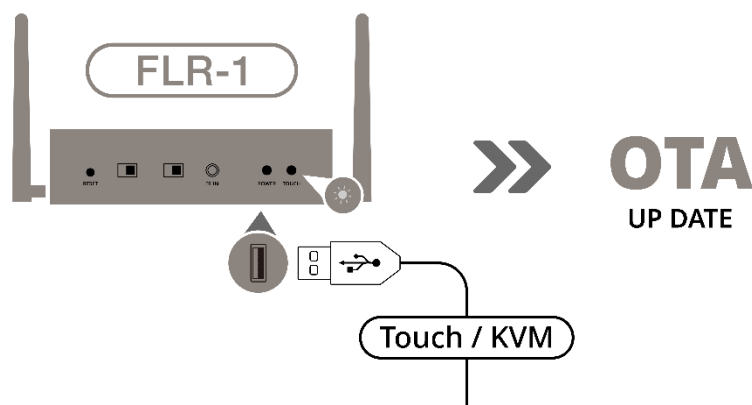
1. Check the touch screen function

Please connect the touch screen directly to the device (laptop / tablet / smartphone) to verify whether the touch screen supports the device' s touch feedback function.

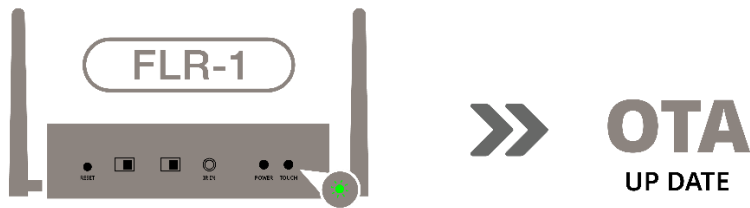
- (1) If touch control does not work, it means the touch screen does not support the device' s touch feedback function.
- (2) If touch control works normally, proceed to the next step.

2. Check Touch LED status on the receiver

- (1) If the Touch indicator is off: Unplug and reconnect the receiver' s Touch/KVM cable to ensure the connection is secure. If touch control still does not work, perform an OTA firmware upgrade (refer to the *Firmware Upgrade* section of this manual for details). °



- (2) If the Touch indicator is on: Perform an OTA firmware upgrade directly (refer to the *Firmware Upgrade* section of this manual for details).



Office Link Touch Function Compatibility:

- Windows: Windows 10/11
- Android phone: Android 8.0 or above, with support for USB-C DP-Alt port
- macOS: Supports single-touch operation
- iOS: Supports wireless screen mirroring only; touch feedback is not supported

Q: Can KVM and touch control be used at the same time?

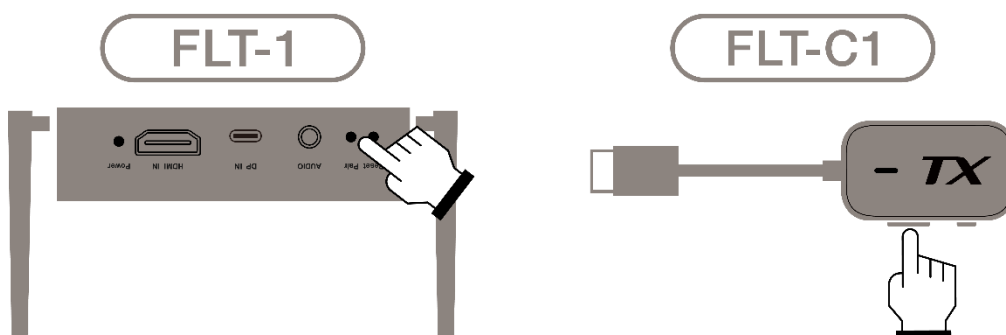
A: Yes. Simply connect a USB-A hub to the receiver, and keyboard, mouse, and touch control can be used simultaneously.

Q: Is it possible to switch input signals without using the IR remote control?

A: Yes. You can switch input signals using the **Pair button** on the transmitter.

Step 1: Press the Pair button on the transmitter that is currently projecting. The screen will display the main interface and the list of connected devices.

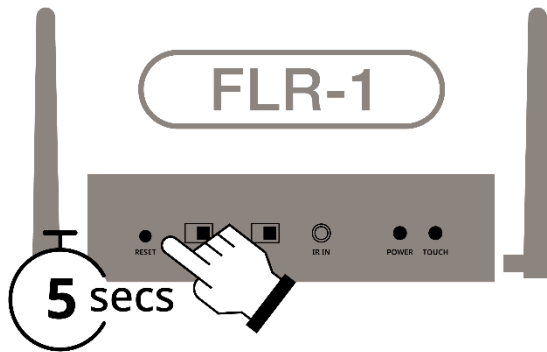
Step 2: Press the Pair button on the transmitter of the device you want to project.



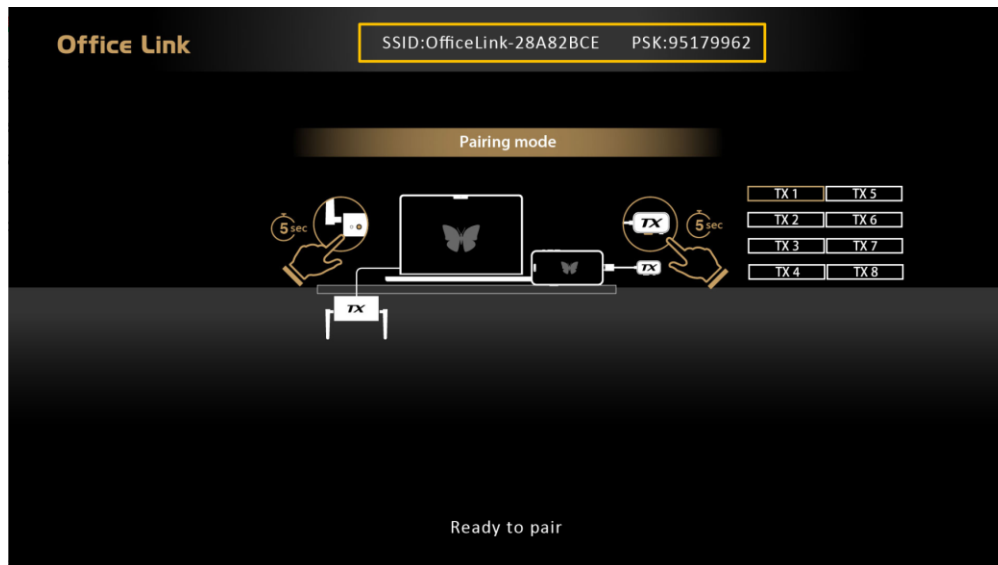
How to upgrade firmware

Step 1: Connect the transmitter and receiver according to the instructions.

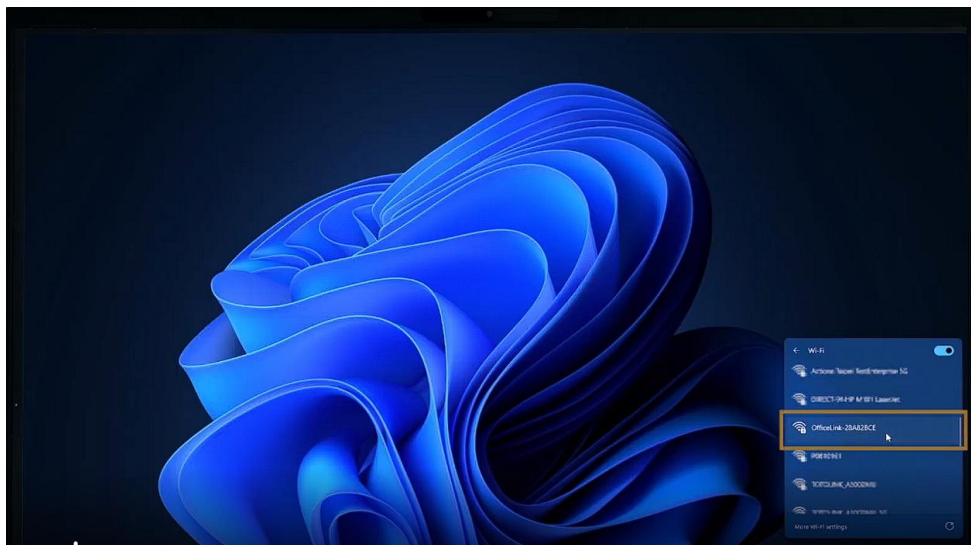
Step 2: Press and hold the FLR-1 for 5 seconds to enter the pairing page.



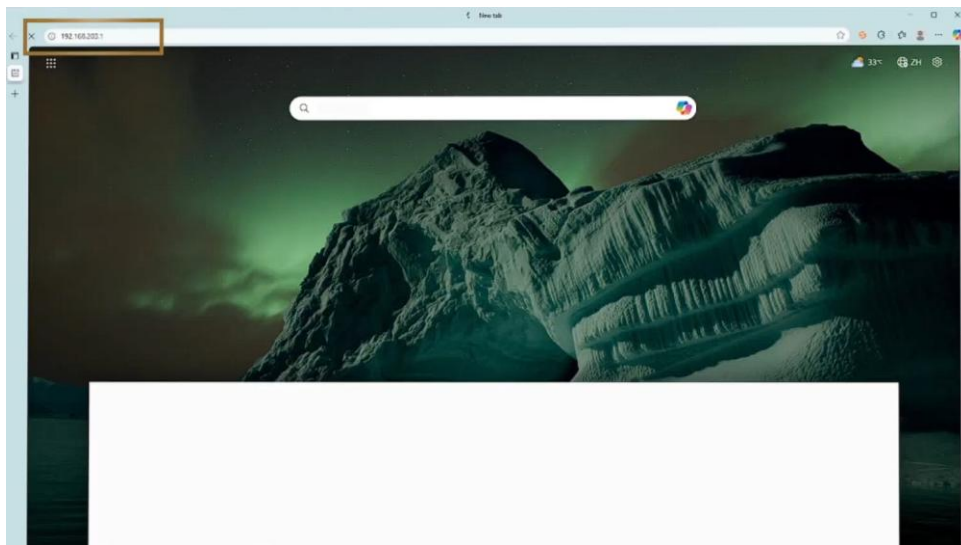
Step 3: Check that the touch screen displays the projector' s SSID and PSK.



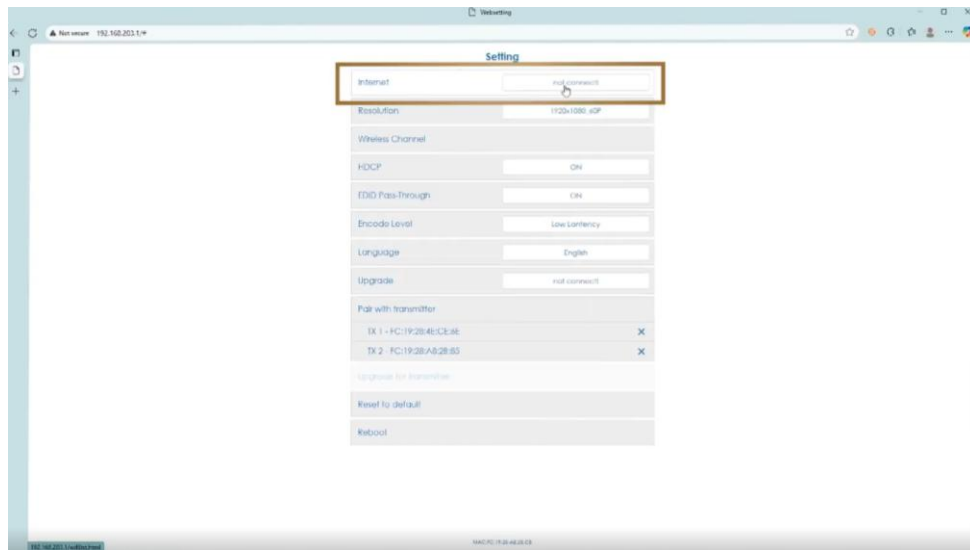
Step 4: Open the Wi-Fi settings page on your smartphone or computer, connect to the projector' s SSID, and enter the PSK shown on the screen to complete the connection.



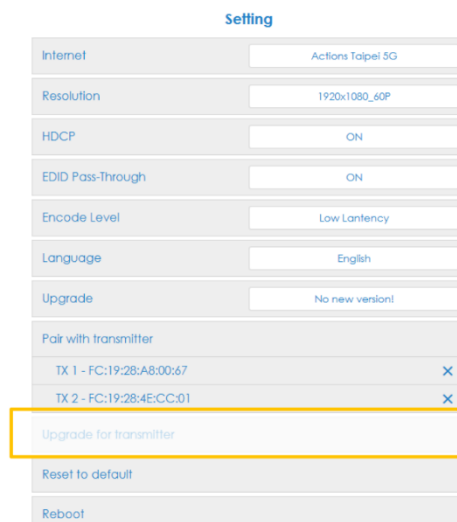
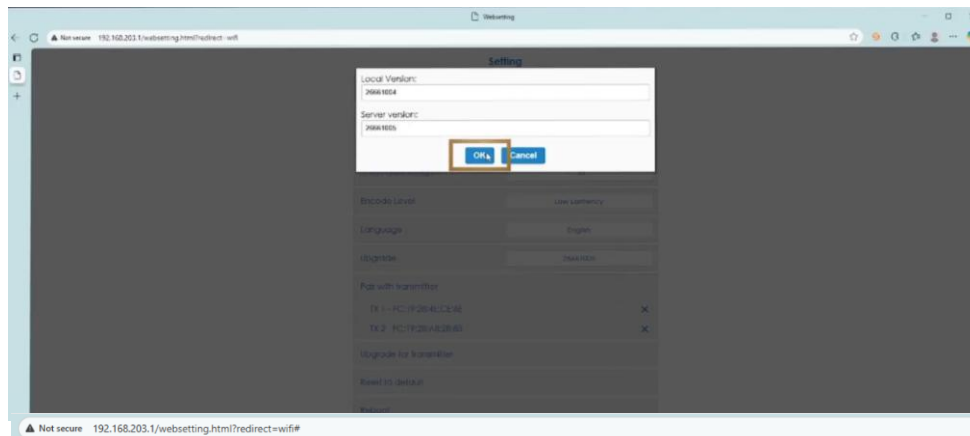
Step 5: Open a web browser and enter the URL: 192.168.203.1



Step 6: Select Internet to connect the transmitter and receiver to the Wi-Fi network.



Step 7: Select Upgrade to update the receiver (this will pop up automatically), or choose Update for Transmitter to update the transmitter. Wait until the progress bar completes — the system will automatically reconnect and start projecting.



Product informations

Receiver FLR-1	Transmitter FLT-1	Transmitter FLT-C1
-Antenna: 2T2R	-Antenna: 2T2R	-Antenna: 1T1R
-Wi-Fi: 5GHz	-Wi-Fi: 5GHz	-Wi-Fi: 5GHz
-Chipset: AM8268H	-Chipset: AM8360D	-Chipset: AM8360B
-Interface: HDMI /VGA / USB-C DP-Alt / IR	-Interface: HDMI / USB-C DP-Alt	-Interface: USB-C DP-Alt

MIC 警語

Note: 5G band (W52) indoor use only.

NCC 警語

取得審驗證明之低功率射頻器材，非經核准，公司、商號或使用者均不得擅自變更頻率、加大功率或變更原設計之特性及功能。低功率射頻器材之使用不得影響飛航安全及干擾合法通信；經發現有干擾現象時，應立即停用，並改善至無干擾時方得繼續使用。前述合法通信，指依電信管理法規定作業之無線電通信。低功率射頻器材須忍受合法通信或工業、科學及醫療用電波輻射性電機設備之干擾。

FCC statement

This device complies with part 15 of the FCC Rules. Operation is subject to the following two conditions: (1) this device may not cause harmful interference (2) this device must accept any interference received, including interference that may cause undesired operation.

Note: This equipment has been tested and found to comply with the limits for a Class B digital device, pursuant to part 15 of the FCC Rules. These limits are designed to provide reasonable protection against harmful interference in a residential installation. This equipment generates, uses, and can radiate radio frequency energy and, if not installed and used in accordance with the instructions, may cause harmful interference to radio communications. However, there is no guarantee that interference will not occur in a particular installation.

If this equipment does cause harmful interference to radio or television reception, which can be determined by turning the equipment off and on, the user is encouraged to try to correct the interference by one or more of the following measures:

- Reorient or relocate the receiving antenna.
- Increase the separation between the equipment and receiver.
- Connect the equipment to an outlet on a circuit different from that to which the receiver is connected.
- Consult the dealer or an experienced radio/TV technician for help.

Changes or modifications to this product not authorized by Apple could void the electromagnetic compatibility (EMC) and wireless compliance and negate your authority to operate the product.

This product has demonstrated EMC compliance under conditions that included the use of compliant peripheral devices and shielded cables between system components. It is important that you use compliant peripheral devices and shielded cables between system components to reduce the possibility of causing interference to radios, television sets, and other electronic devices.

RF Exposure Statement (Receiver) :

To maintain compliance with FCC's RF Exposure guidelines, this equipment should be installed and operated with minimum distance of 20cm the radiator your body. This device and its antenna(s) must not be co-located or operation in conjunction with any other antenna or transmitter.

RF Exposure Statement (Transmitter):

To maintain compliance with FCC's RF Exposure guidelines, This equipment should be installed and operated with minimum distance of 20cm the radiator your body.

更多資訊



Website: <https://www.EZCast.com>

YouTube: <https://www.YouTube.com/EZCast>